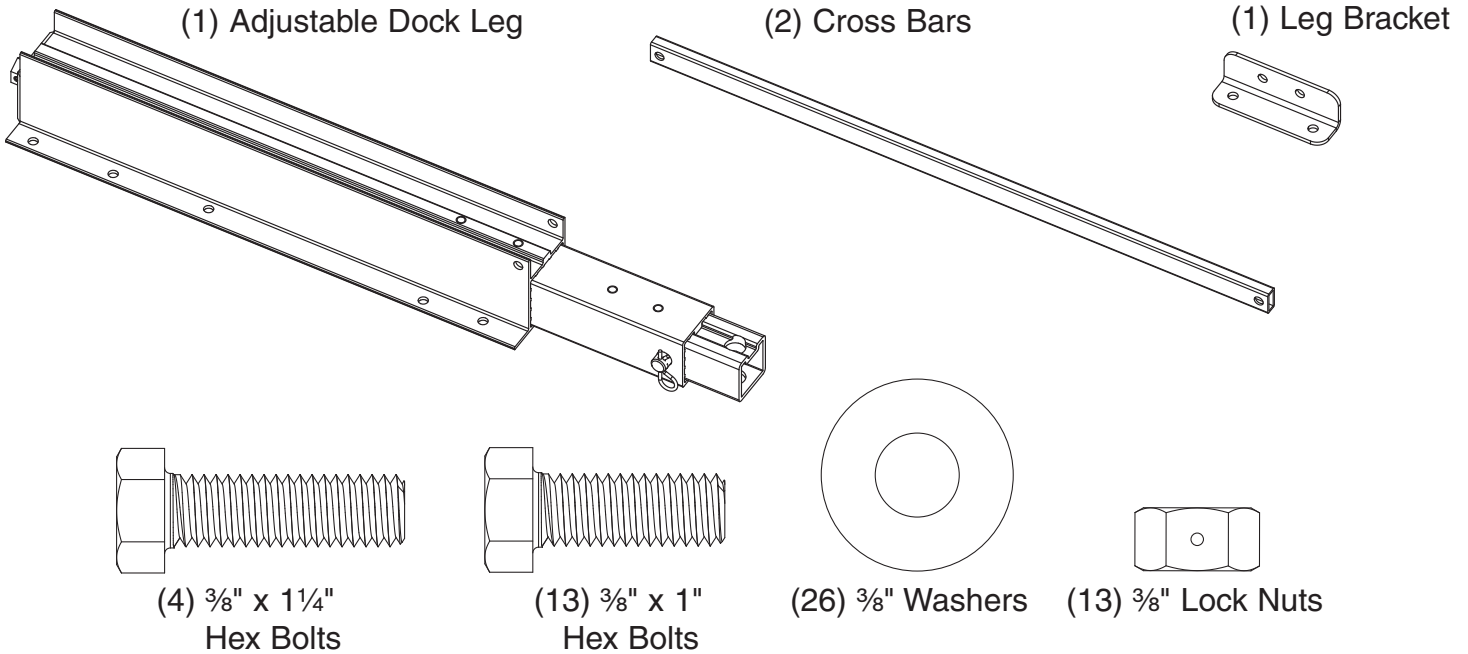


# PREMIUM ADJUSTABLE DOCK LEG - PS 1330

## Important!

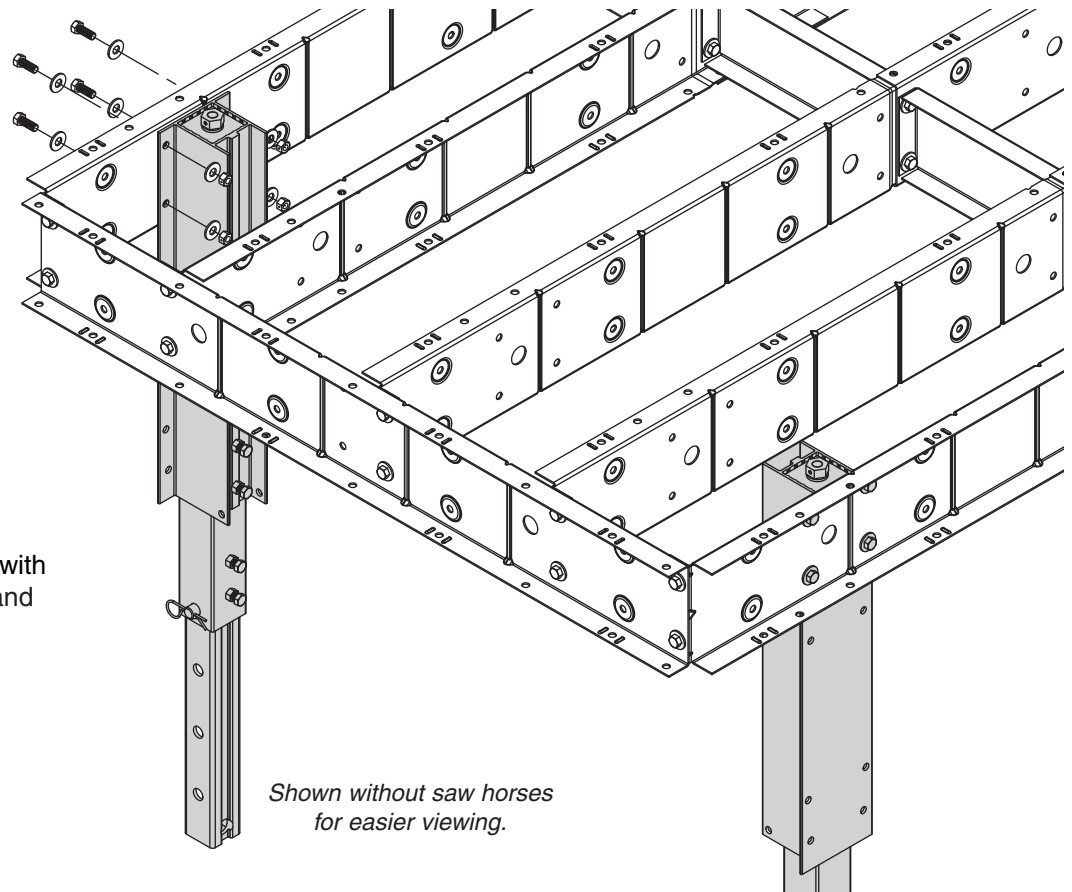
This product is intended for use only on properly installed PlayStar Premium Docks.  
Any other application is considered a misuse.



## Items for STEP 1:

- (2) Adjustable Dock Legs
- (8)  $\frac{3}{8}$ " x 1" hex bolts
- (16)  $\frac{3}{8}$ " washers
- (8)  $\frac{3}{8}$ " lock nuts

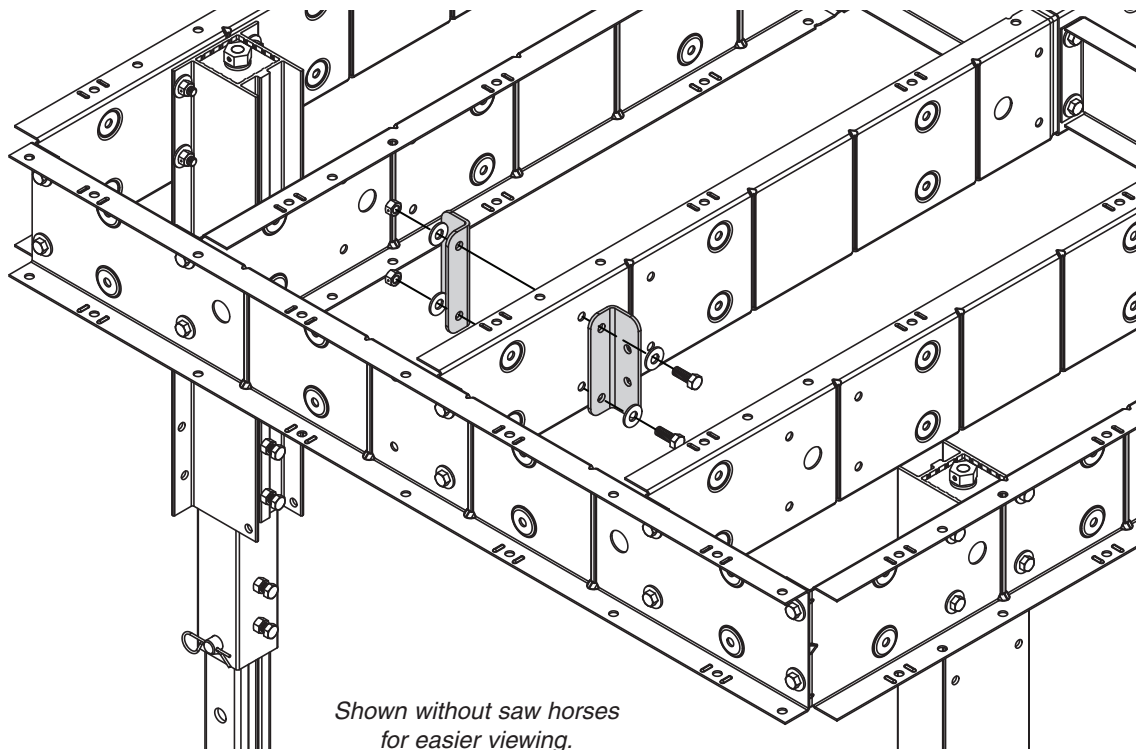
Install Legs at locations shown with  $\frac{3}{8}$ " x 1" hex bolts,  $\frac{3}{8}$ " washers and  $\frac{3}{8}$ " lock nuts.



**Items for STEP 2:**

- (2) Leg Brackets
- (2)  $\frac{3}{8}$ " x 1" hex bolts
- (4)  $\frac{3}{8}$ " washers
- (2)  $\frac{3}{8}$ " lock nuts

Install Leg Brackets at location shown. Secure with  $\frac{3}{8}$ " x 1" hex bolts,  $\frac{3}{8}$ " washers and  $\frac{3}{8}$ " lock nuts.

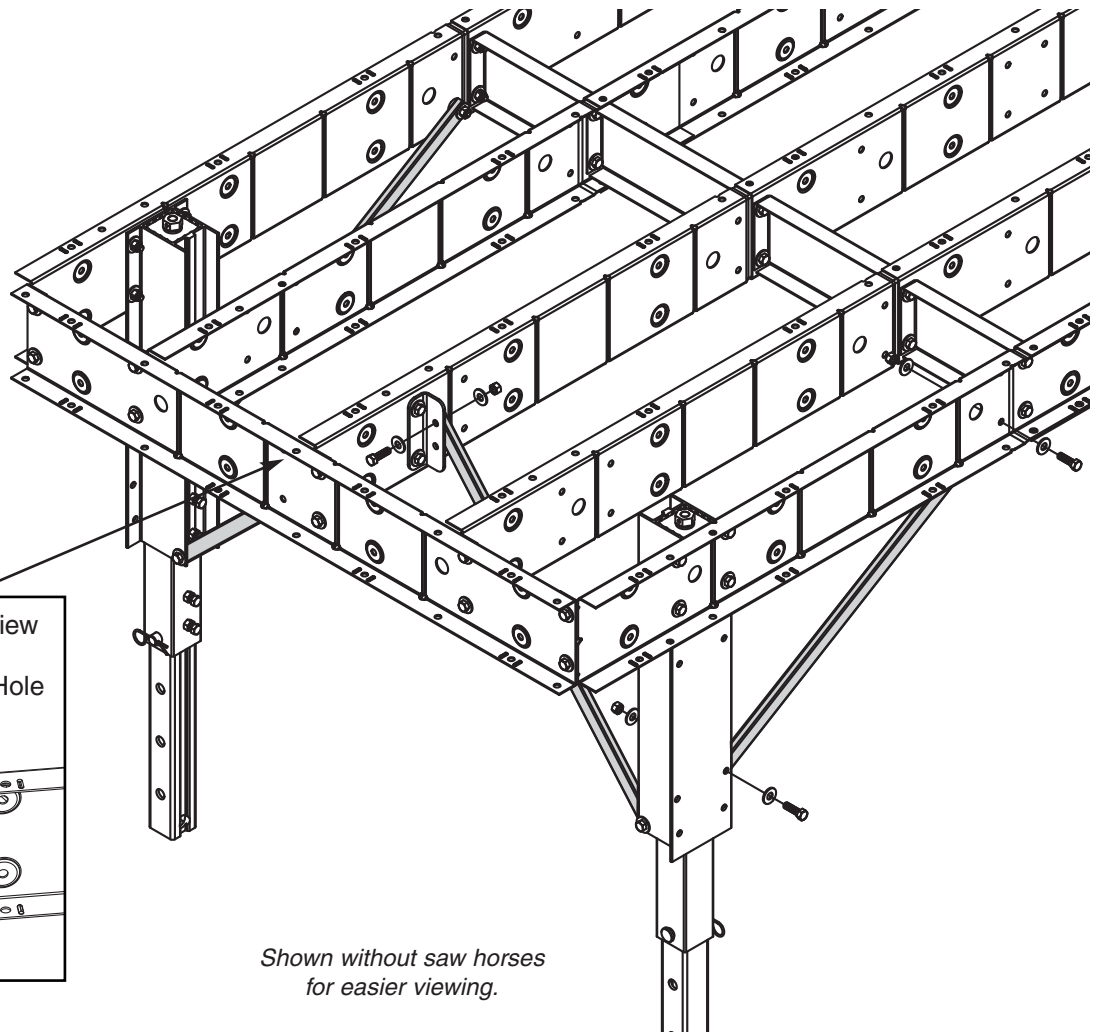


*Shown without saw horses for easier viewing.*

**Items for STEP 3:**

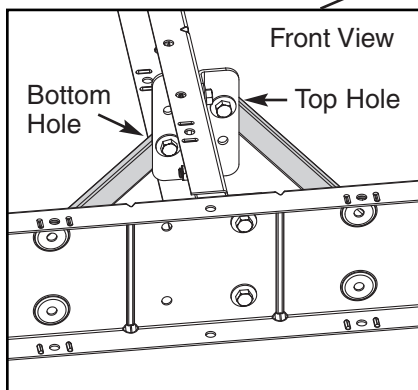
- (4) Cross Bars
- (8)  $\frac{3}{8}$ " x  $1\frac{1}{4}$ " hex bolts
- (16)  $\frac{3}{8}$ " washers
- (8)  $\frac{3}{8}$ " lock nuts

Install Cross Bars at locations shown. Secure with  $\frac{3}{8}$ " x  $1\frac{1}{4}$ " hex bolts,  $\frac{3}{8}$ " washers and  $\frac{3}{8}$ " lock nuts.



*Shown without saw horses for easier viewing.*

**Note:** Use top hole when bracket is on the outside of the rail and bottom hole when bracket is on the inside of rail.



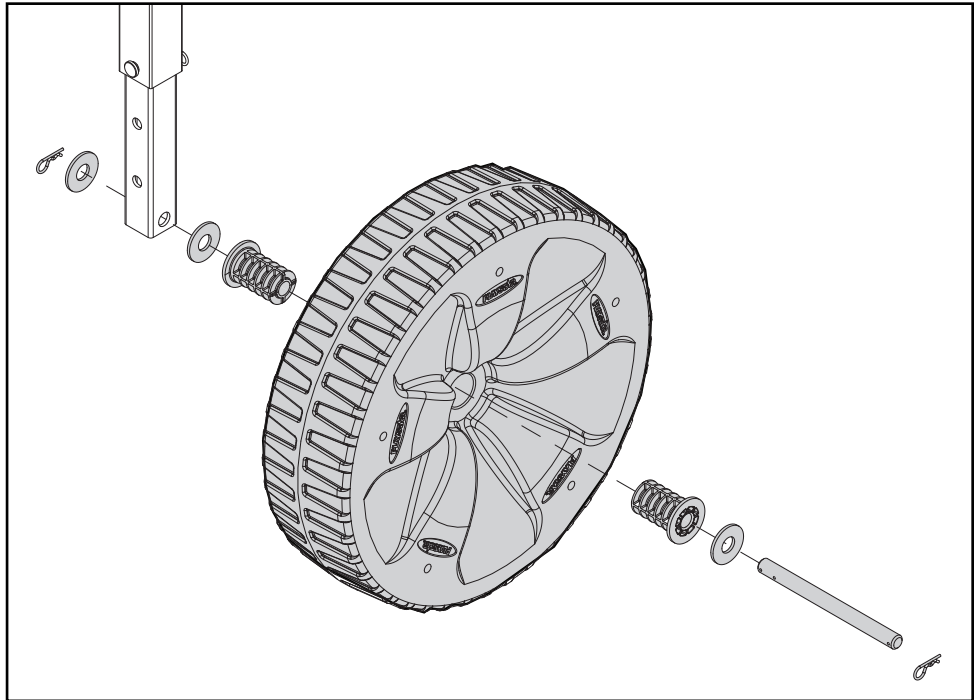
# ROLL-IN OPTION

## Purchase Separately:

- (1) PS 1335 Dock Wheel Attachment
- (1) PS 1334 Dock Wheel

Disassemble Wheel Attachment.

Reassemble as shown to secure the wheel to the leg.



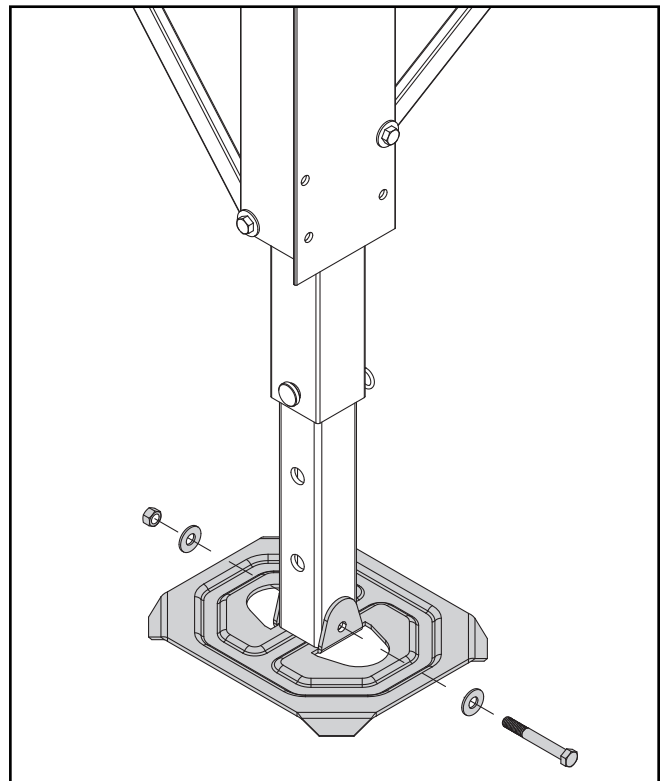
# STATIONARY OPTION

## Purchase Separately:

- (1) PS 1332 Dock Foot Plate

Remove hardware from Foot Plate.

Attach to leg as shown.



# How to figure your desired dock height:

Decide on the location where your dock will be installed in the water.

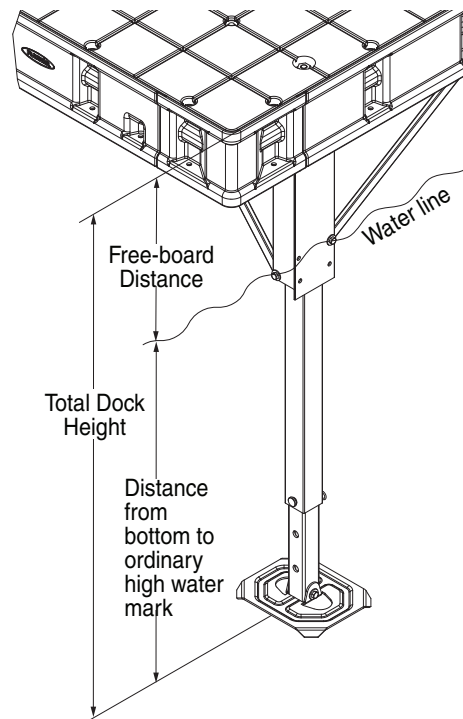
Measure the vertical distance from the ordinary high watermark to the bottom of each dock wheel or foot plate where each will be resting when installed.

**Ordinary high watermark is defined as the point on the bank or shore where water commonly rises and leaves a distinct mark.**

Decide the free-board distance you desire. **Free-board is the vertical distance from ordinary high watermark to the top of your dock.**

Add the ordinary high water mark measurement to the free-board measurement – **this is your total dock height.**

Determine your total dock height at each leg location and adjust each leg accordingly.



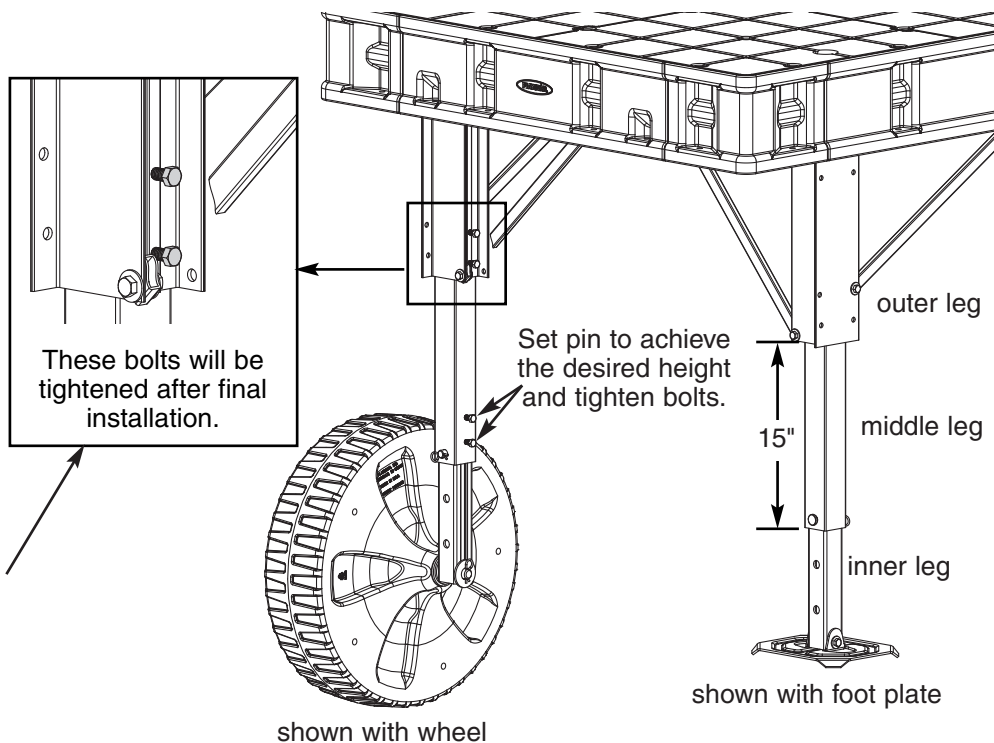
# How to adjust your dock leg:

Turn the top screw adjustment clockwise until the middle leg is set to 15". This will give you over 8" of top screw adjustment up or down during final installation.

Remove the lower pin and adjust the inner leg to achieve your desired dock height.

After you have set your lower inner leg adjustment, reinstall the clevis pin and clip and tighten the two  $\frac{3}{8}$ " x 1" hex bolts at that location only.

**Do not tighten the two  $\frac{3}{8}$ " x 1" hex bolts on the outer leg of the top screw adjustment. These bolts will be tightened after final installation of dock and the top screw adjustment is complete.**



Check contents of all packages before proceeding with construction. If you are missing or need replacement parts, DO NOT RETURN TO RETAILER. Call PlayStar, Inc., at 1-888-PLAYSTAR (752-9782). Your parts will be shipped immediately.

